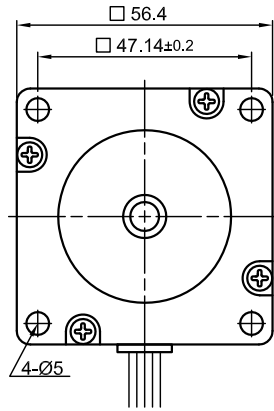
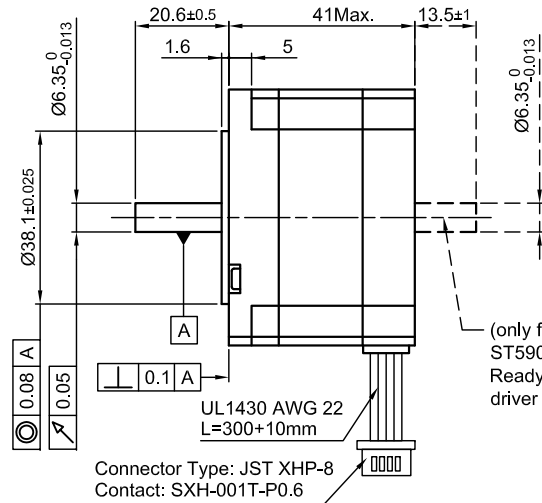


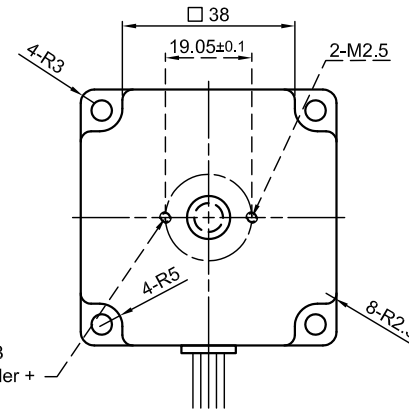
Front view and mounting



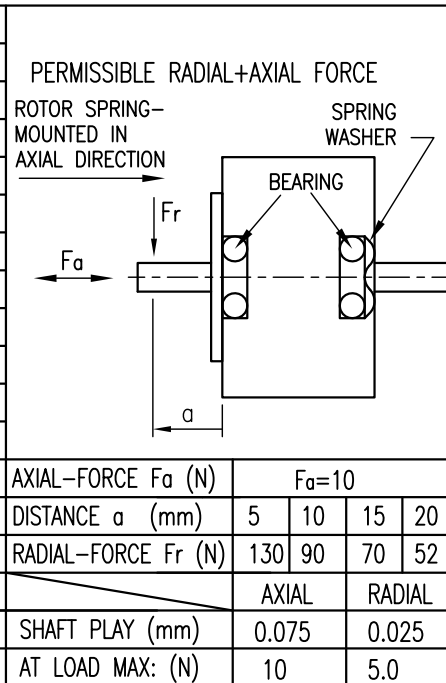
Side view



Rear view



SPECIFICATION	CONNECTION	UNIPOLAR OR BIPOLAR-1 WINDING	BIPOLAR	
			SERIAL	PARALLEL
VOLTAGE (VDC)		2.13		
AMPS/PHASE		2.5	1.77	3.53
RESISTANCE/PHASE (Ohms)@25°C		0.85±15%	1.7±15%	0.43±15%
INDUCTANCE/PHASE (mH) @1KHz		1.6±20%	6.4±20%	1.6±20%
HOLDING TORQUE (Nm) [lb-in]		0.43 [3.806]	0.608 [5.381]	0.608 [5.381]
DETENT TORQUE (Nm) [lb-in]		0.0129 [0.114]		
STEP ANGLE (°)		0.9		
STEP ACCURACY (NON-ACCUM)		±5%		
ROTOR INERTIA (Kg-m ²) [lb-in ²]		1.2x10 ⁻⁵ [0.041]		
WEIGHT (Kg) [lb]		0.45 [0.992]		
TEMPERATURE RISE: MAX.80°C (MOTOR STANDSTILL; FOR 2 PHASE ENERGIZED)				
AMBIENT TEMPERATURE -10~ 50°C [14°F ~ 122°F]				
INSULATION RESISTANCE 100 MOhm (UNDER NORMAL TEMPERATURE AND HUMIDITY)				
INSULATION CLASS B 130° [266°F]				
DIELECTRIC STRENGTH 500VAC FOR 1 MIN. (BETWEEN THE MOTOR COILS AND THE MOTOR CASE)				
AMBIENT HUMIDITY MAX. 85% (NO CONDENSATION)				

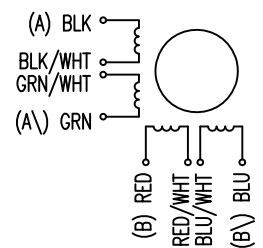


UNIPOLAR	TYPE OF CONNECTION (EXTERN)			MOTOR		
	1WINDING	BIPOLAR SERIAL	BIPOLAR PARALLEL	CONNECTOR PIN NO.	LEADS	WINDING
A	A	A	A	1	BLK	A
COM	A			3	BLK/WHT	
A\		A\	A\	2	GRN/WHT	A\
B	B	B	B	4	GRN	B
COM	B			5	RED	
B\		B\	B\	7	RED/WHT	B\
				6	BLU/WHT	
				8	BLU	

FULL STEP 2 PHASE-Ex., WHEN FACING MOUNTING END (X)

STEP	A	B	A\	B\	CCW
1	+	+	-	-	↓
2	-	+	+	-	
3	-	-	+	+	↑
4	+	-	-	+	

WIRING DIAGRAM



REV	DESCRIPTION	DATE	APVD	ST5909X2508	SCALE FREE	APVD	S.Ha.	10.12.08	STEPPING MOTOR
					X ±0.5	CHKD			
					1PL ±0.2	DRN	J.W.	10.12.08	DWG.NO
					2PL ±0.1	SIGNATURE		DATE	ST5909X2508
					ANGLE ±30'				